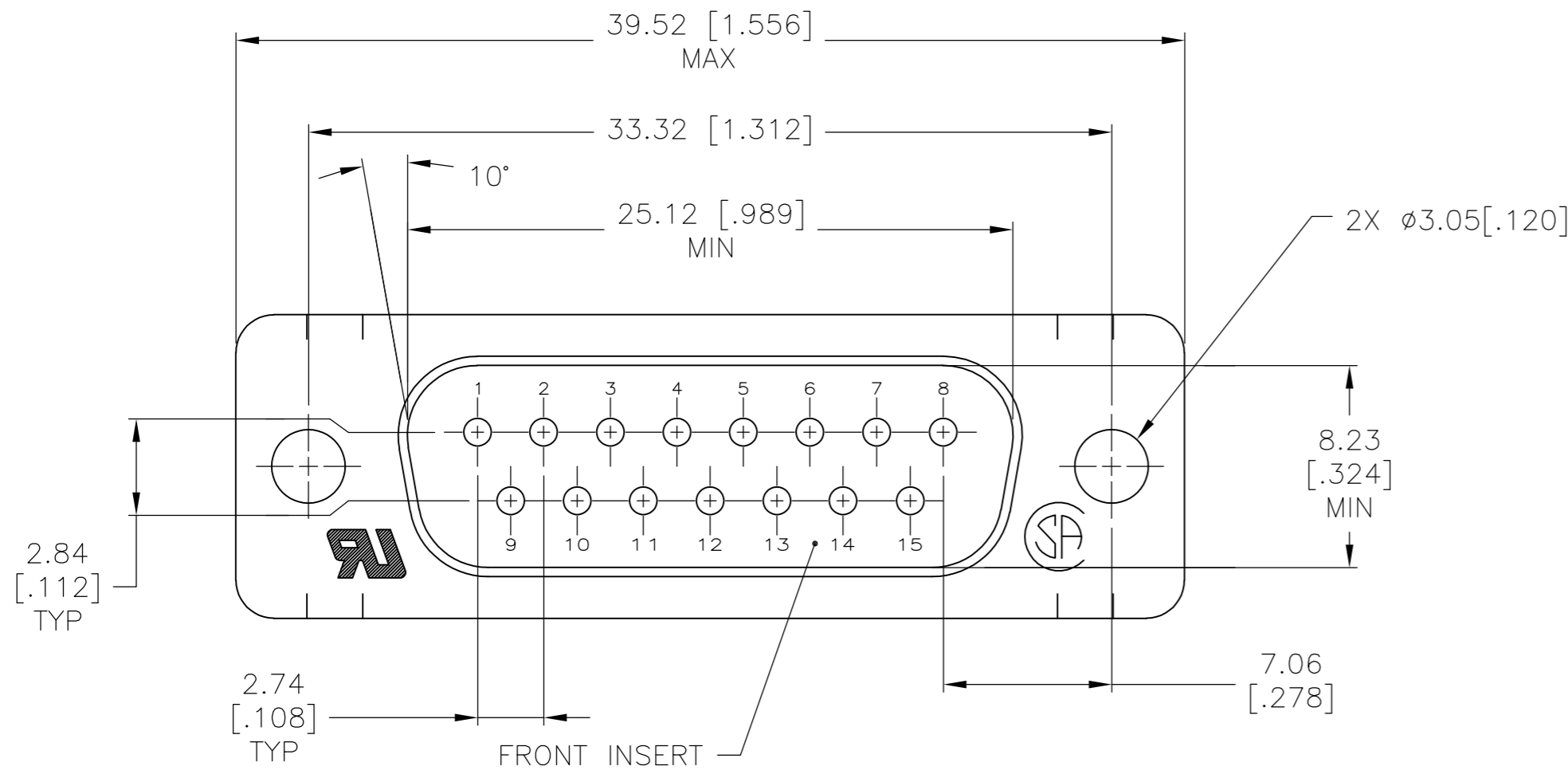
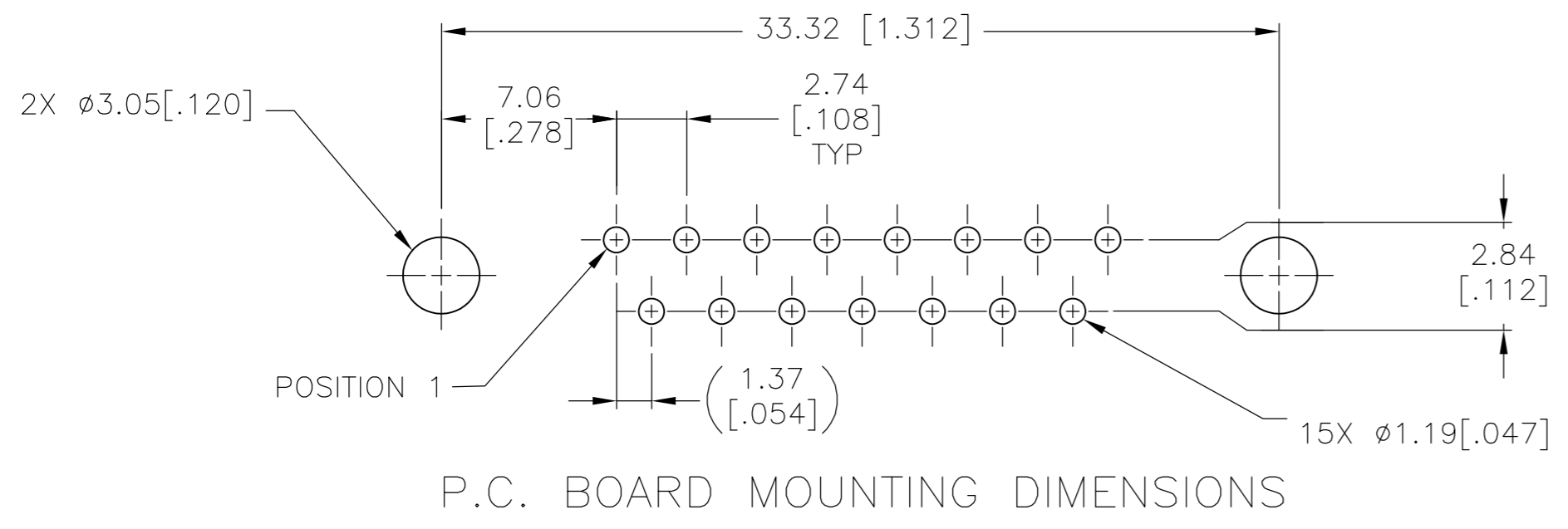
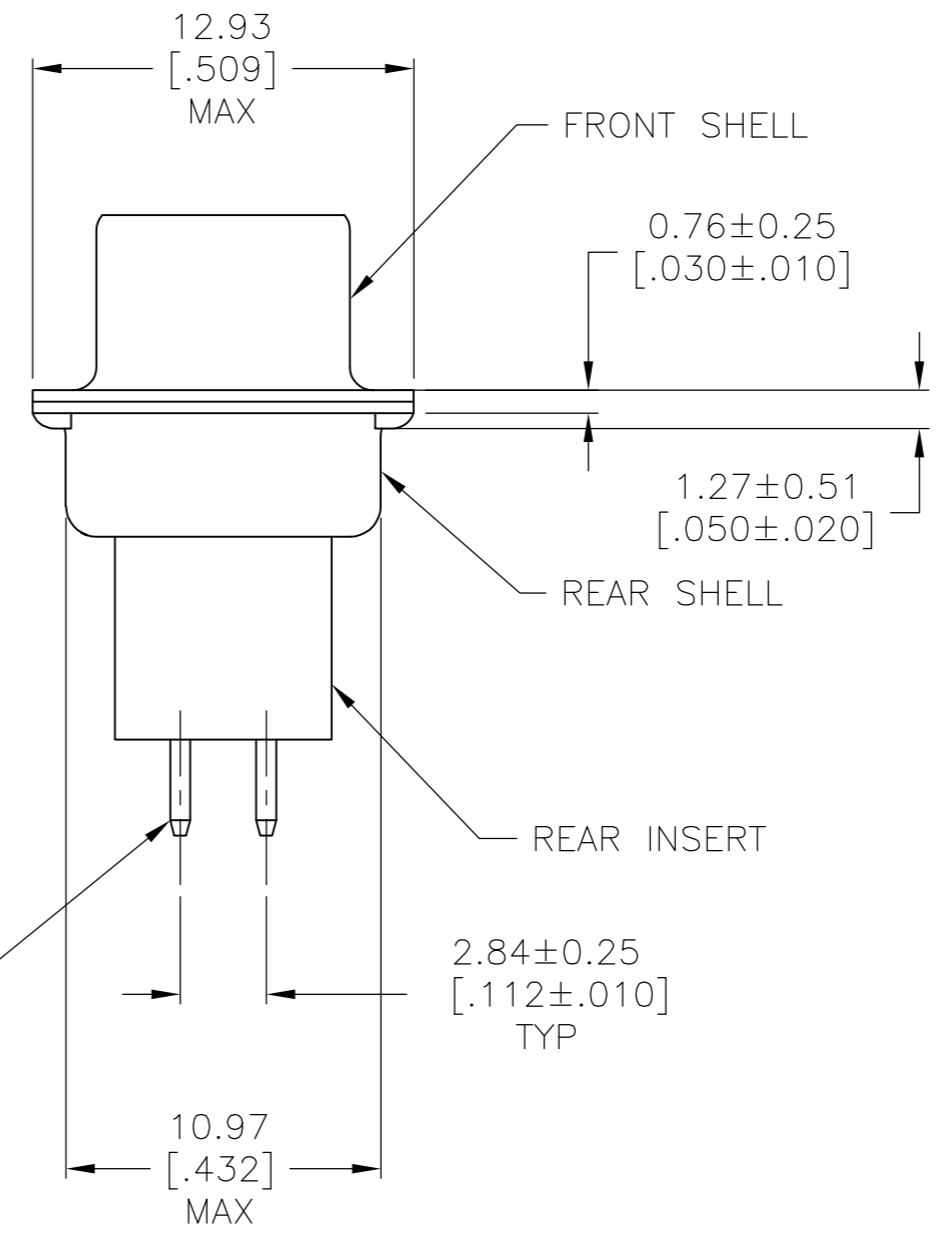
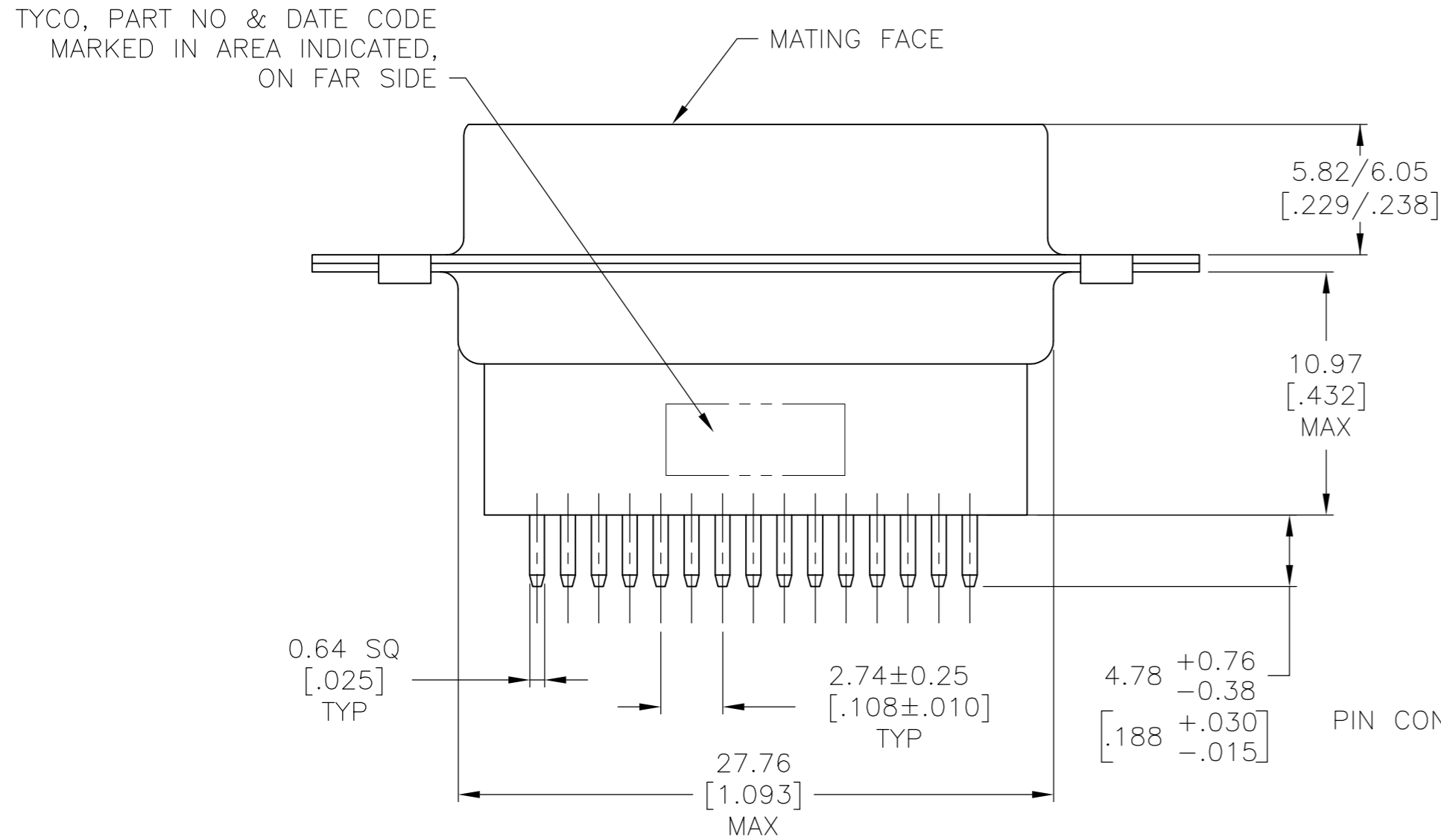


THIS DRAWING IS UNPUBLISHED. RELEASED FOR PUBLICATION
 © COPYRIGHT 2005 By - ALL RIGHTS RESERVED.

LOC		DIST		REVISIONS			
P	LTR	DESCRIPTION	DATE	DWN	APVD		
GP	00	D	REVISED PER ECO-14-011808	09AUG2014	AP	SB	



- ⚠ MOLDDED PARTS: GLASS-FILLED PBT OR GLASS-FILLED NYLON, UL94V-0 RATED. COLOR: BLACK
- SHELLS: CARBON STEEL
- CONTACTS: BRASS
- ⚠ SHELLS: 5.08 μ m [.000200] MIN ZINC WITH YELLOW CHROMATE COATING.
- CONTACTS: GOLD PLATED FOR LENGTH OF 3.81 [.150] MIN FROM MATING END, 0.76 μ m [.000030] MIN GOLD IN MATED AREA, 2.54 μ m [.000100] MIN TIN ON SOLDER END, BOTH OVER 1.27 μ m [.000050] MIN NICKEL.
- OR
- GOLD FLASH OVER PALLADIUM-NICKEL PLATED FOR LENGTH OF 3.81 [.150] MIN FROM MATING END, 0.76 μ m [.000030] MIN TOTAL IN MATED AREA, 2.54 μ m [.000100] MIN TIN ON SOLDER END, BOTH OVER 1.27 μ m [.000050] MIN NICKEL.



5205735-7
 PART NUMBER

THIS DRAWING IS A CONTROLLED DOCUMENT.		DWN B. LATTUCA 02SEPT05		TE Connectivity		
DIMENSIONS: mm [INCHES]		CHK S. BOLASH 02SEPT05		NAME		
TOLERANCES UNLESS OTHERWISE SPECIFIED:		APVD M. WALMSLEY 02SEPT05		PLUG ASSY, SIZE 2, 15 POS, VERTICAL, AMPLIMITE HDP		
0 PLC \pm - 1 PLC \pm - 2 PLC \pm 0.13 [.005] 3 PLC \pm - 4 PLC \pm - ANGLES \pm 2°		PRODUCT SPEC 108-40025		SIZE A2	CAGE CODE 00779	DRAWING NO C=5205735
MATERIAL 1	FINISH 2	APPLICATION SPEC 114-40013	WEIGHT -	RESTRICTED TO -		
CUSTOMER DRAWING			SCALE NTS	SHEET 1 of 1	REV D	

5205735